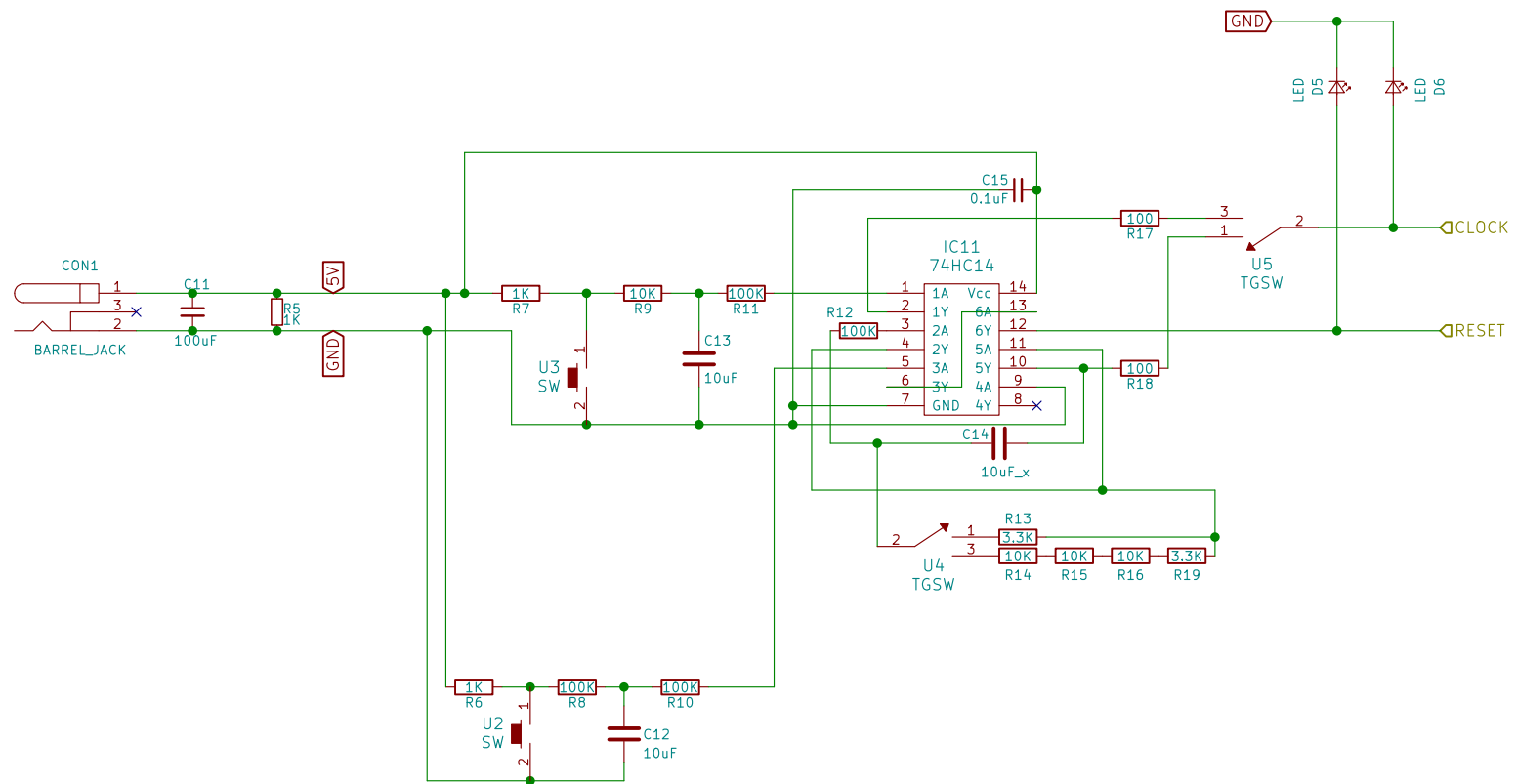


td4\_2  
CLOCK  
RESET  
GND  
5V  
td4\_2.sch

td4\_3  
D0 C  
D1 C  
D2 C  
D3 C  
D4 C  
D5 C  
D6 C  
D7 C  
A0 C  
A1 C  
A2 C  
A3 C  
td4\_3.sch

Sheet: /		File: td4.sch	
<b>Title: TD4</b>		Date: 2017-03-01	
Size: A4	KiCad E.D.A.	Rev: A0	Id: 1/3
kicad 4.0.5			



Sheet: /td4\_2/  
File: td4\_2.sch

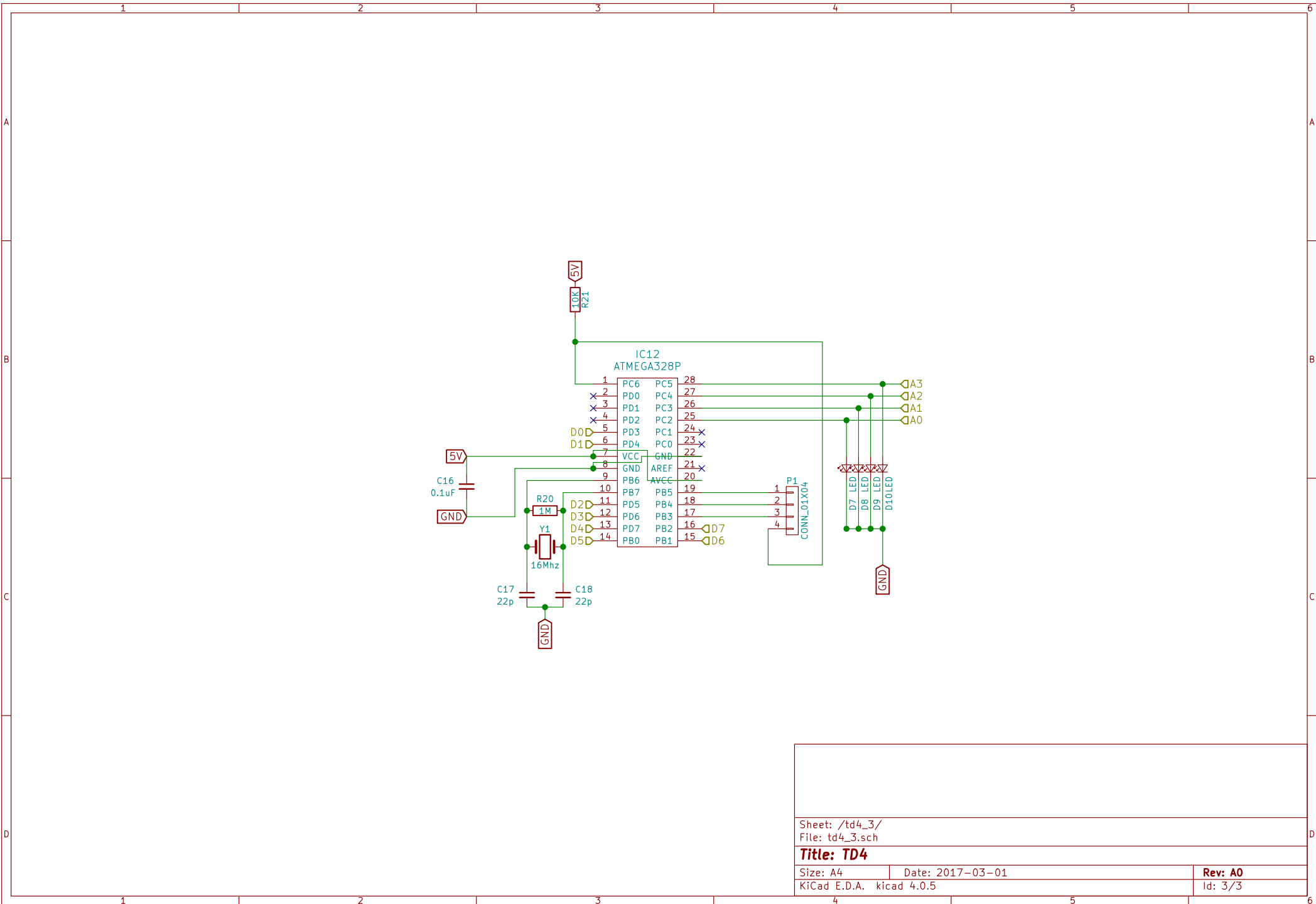
**Title: TD4**

Size: A4 Date: 2017-03-01

KiCad E.D.A. kicad 4.0.5

Rev: A0

Id: 2/3



Sheet: /td4_3/		Date: 2017-03-01	
File: td4_3.sch		Rev: A0	
<b>Title: TD4</b>		Id: 3/3	
Size: A4	KiCad E.D.A. kicad 4.0.5		